

# Caroma®

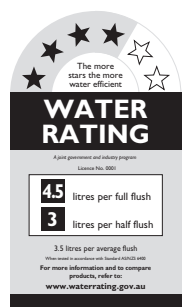
CI/SfB	(74.1)	g3
Date	April 2015	

Supersedes all previous issues

## Liano Easy Height Invisi II

# 3.70.2

4.5/3 litre Dual Flush Toilet Suite with  
Liano Easy Height Wall Faced Box Rim Vitreous China Pan  
and Invisi II Cistern for Inwall, Under Counter, Induct or  
Inceiling applications





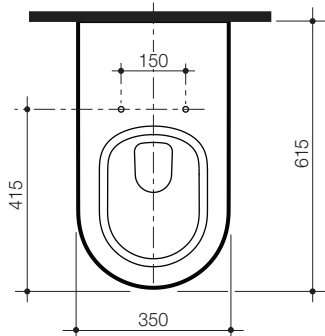
### Liano Easy Height Invisi II



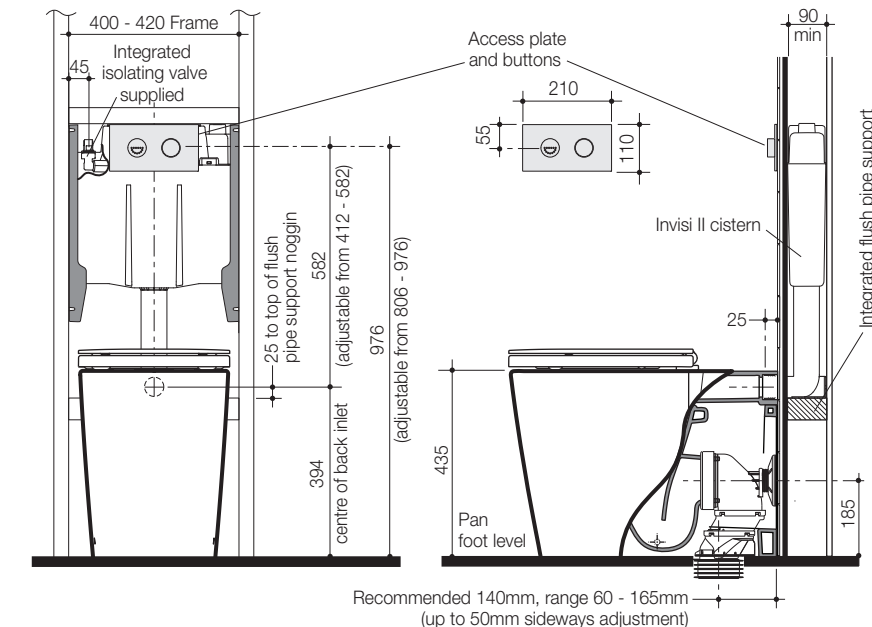
A sharp, symmetrical designed wall faced easy height concealed toilet suite comprises the **Liano Easy Height** pan and trusted Caroma **Invisi II** cistern. The suite is targeted for use in commercial applications where a pan height of 435mm is required for ambulant compliance, but it is also suitable for domestic applications. The pan connection system includes the patented Caroma Uni-Orbital® Connector extends to any position in a 50mm radius, unlike traditional connectors that only move backwards and forwards. The setout range is from 60mm – 165mm with a recommended setout of 90mm. The smooth sided pan is available in both standard and easy height models and with the great looking thin lid, soft close seat with quick release. Choose from a variety of buttons from the Caroma range to complete your desired look.

- Pan:** **Liano Easy Height** back inlet 4.5 litre wall faced pan
- Traps:** Universal trap for S or P-trap installations.
- Inlet:** 50mm back inlet for concealed cistern and flushvalve installation.
- Cisterns and Flushvalves:** Caroma Concealed Cistern options available – **Invisi II Under Counter/Inwall/ Induct/Inceiling Cisterns** (see Section 6). **Invisi Inwall/Induct/Inceiling Cisterns, Compact Under Counter Dual Flush Cistern, Slimline Induct Cistern, Schell WC Flushvalve Inwall/ Induct** see Section 6.
- Fixing:** The pan can be fixed to the floor by either bedding into mortar or using the D82 Concealed Fixing Bracket.
- Seats:** The **Liano** soft close toilet seat is provided as standard with the Liano suite. A quality solid section compression moulded toilet seat, fitted with buffers and metal hinges.
- Colours:** White only.
- Installation:** The installation of the toilet suite shall be in accordance with the normal minimum drainline grade requirements in AS/NZS 3500.2.
- Dimensions:** All dimensions are in millimetres and are subject to normal manufacturing variations. Caroma pursues a policy of continuing improvement in design and performance of its products. The right is therefore reserved to vary specifications without notice.

**Note: The projection requirements for people with ambulant disabilities is 610mm to 660mm.**



<b>Liano Easy Height Invisi II 4.5/3 litre Toilet Suite with Back Inlet Pan, Internal Overflow Cistern and Seat:</b>		<b>Code No.</b>
Inwall/Under Counter/ Induct/Inceiling		766500W
Button options: see 6.15.1		



**Note:** All height dimensions to underside of pan, make allowance for bedding when installing.

**Bedding:** The pan should be fixed to the floor with a sand cement mixture of 3:1 to a depth of 60mm. Do not use lime or fast drying cement in the bedding mixture. When bedded the back of the foot of the pan should be approximately 10mm above the finished floor.

**Bracket fixing:** The pan should be bedded with an acetic cured silicone sealant and fixed with the D82 Fixing Brackets supplied.